

SR560M  
SR560M-AB  
SR560M-AW



Display size  
**32"-75"**



Max load  
**150lb (68.2kg)**  
display  
**10lb (4.55kg)**  
per shelf

## SMARTMOUNT<sup>®</sup> Flat Panel Cart

FOR 32" TO 75" DISPLAYS

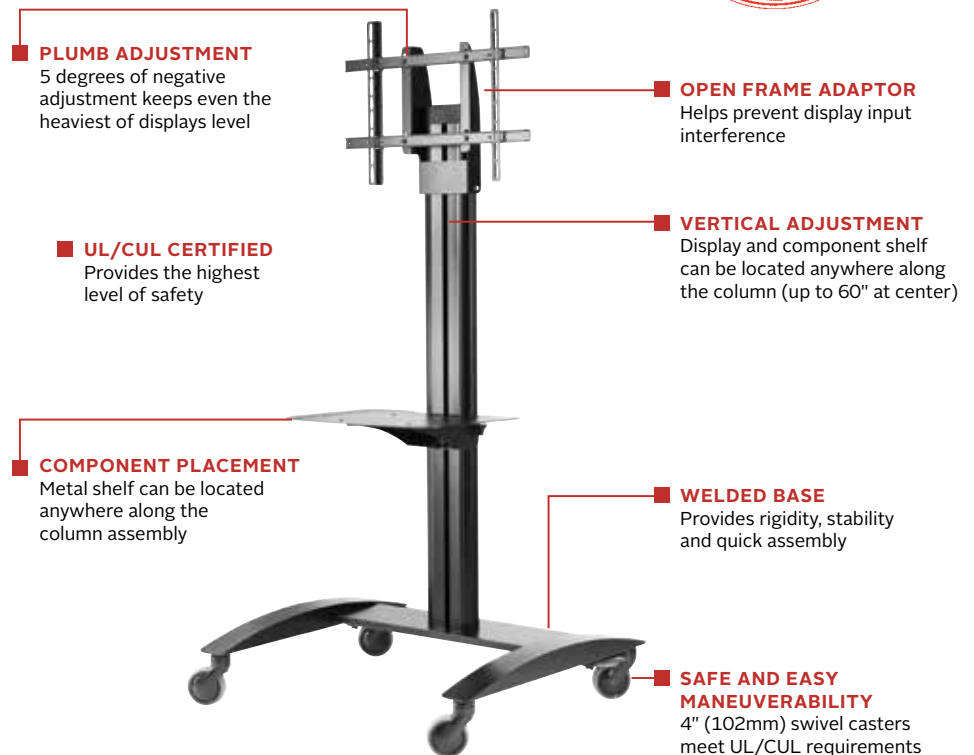
The SR560M SmartMount<sup>®</sup> Flat Panel Cart has been redesigned to include all of the features you may need, making it perfect for any application. Mobility, appealing design, display height adjustment and a pre-assembled base ensure quick assembly, while providing a rigid, but attractive structure that fits into any décor. The 4" castors make it easy to move from room to room while the UL<sup>®</sup> certification ensures you that it can be done with safety in mind.

*Designed to meet UL<sup>®</sup> certifications, the SR560M incorporates safety and security, ensuring you get the job done correctly.*



### Additional Features

- ✓ Display and component shelf can be located anywhere along the column for perfect component placement and viewing height (up to 60" at center)
- ✓ Integrated cable management protects, contains and conceals cables for a clean, professional installation
- ✓ Maneuvers easily on 4" (102mm) swivel casters, two locking
- ✓ Pre-assembled base provides rigidity, stability and quick assembly
- ✓ Textured black powder coat finish helps hide finger prints and dust
- ✓ Open frame display adaptor helps prevent display input interference
- ✓ Universal display adaptor fits mounting patterns from 200 x 200mm to 600 x 400mm and allows mounting in landscape or portrait orientation



\*Antimicrobial protection is limited to the treated article and does not protect a user against disease causing bacteria. Always clean products thoroughly after each use. Visit [agion-tech.com](http://agion-tech.com) for more details.



Cable management allows cables to enter or exit anywhere along the column



RoHS



SR560M-AB/AW:



SR560M(-AB)(-AW) SmartMount® Flat Panel Cart for 32" to 75" Displays

**Product Specifications**

	DIMENSIONS (W X H X D)	PRODUCT WEIGHT	LOAD CAPACITY	FINISH	AVAILABLE COLORS
SR560M(-AB)(-AW)	34.95" x 68.38" x 29.00" (888 x 1736 x 737mm)	66lb (30kg)	150lb (68.2kg) display 10lb (4.55kg) per shelf	Textured Powder Coat	SR560M: Black SR560M-AB: Antimicrobial* Black SR560M-AW: Antimicrobial* White

\*Antimicrobial protection is limited to the treated article and does not protect a user against disease causing bacteria. Always clean products thoroughly after each use. Visit agion-tech.com for more details.

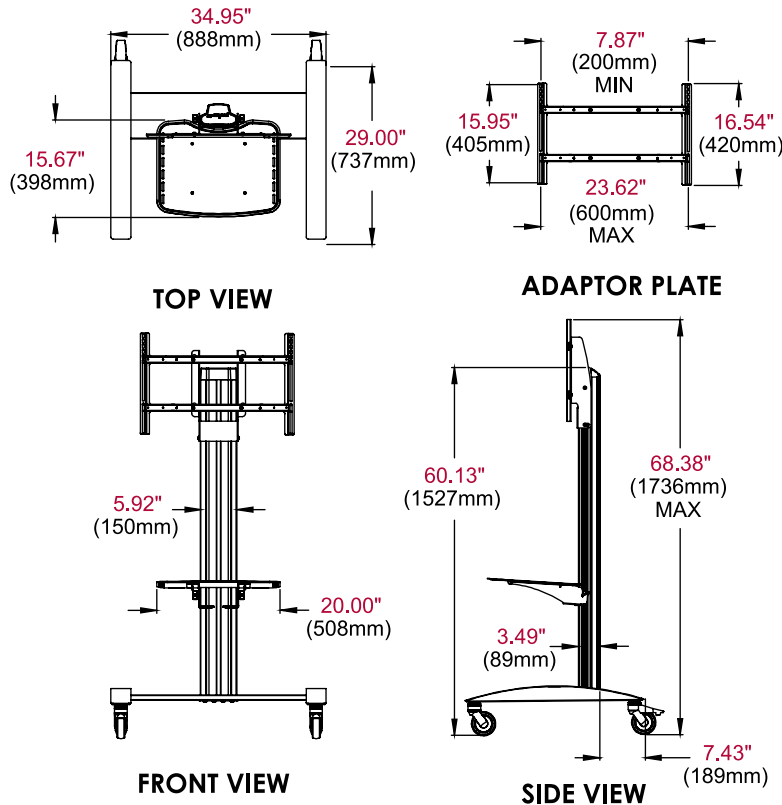
**Package Specifications**

	PACKAGE SIZE (W x H x D)	PACKAGE SHIP WEIGHT	PACKAGE UPC CODE	PACKAGE CONTENTS	UNITS IN PACKAGE
SR560M(-AB)(-AW)	47.50" x 7.25" x 38.50" (1207 x 184 x 978mm)	79lb (35.9kg)	SR560M: 735029247715 SR560M-AB: 735029281771 SR560M-AW: 735029281788	Assembled base, Aluminum column, Universal display adaptor, Metal component shelf, (2) swivel casters, (2) locking swivel casters, hardware & instructions	1

**Accessories**

- ACC310: Feet Accessory
- ACC316: Safety Belt
- ACC320: Electrical Outlet Strip with Cord Wrap
- ACC-BPR: Bumper Accessory for legs
- ACC-GS1: Tempered Glass Shelf
- ACC-LA: Laptop Arm
- ACC-MS: Metal Shelf
- ACC-VCS: Video Conferencing Camera Shelf
- DSX750: Media Player Storage

All dimensions = inch (mm)



**Architect Specifications**

The SmartMount® Flat Panel Cart shall be a Peerless-AV model SR560M(-AB)(-AW) and shall be located where indicated on the plans. Assembly and installation shall be done according to instructions provided by the manufacturer.

Visit [peerless-av.com](http://peerless-av.com) to see the complete line of AV solutions from Peerless-AV, including outdoor displays, wireless, kiosks, digital audio, display mounts, projector mounts, carts/stands, and a full assortment of accessories.

**Peerless-AV**  
2300 White Oak Circle  
Aurora, IL 60502 USA  
**(800) 865-2112**  
**(630) 375-5100**  
**Fax: (800) 359-6500**

**Peerless-AV Europe**  
Unit 3 Watford Interchange  
Colonial Way, Watford  
Herts, WD24 4WP  
United Kingdom  
**+44 (0) 1923 200100**  
**Fax: +44 (0) 1923 200101**

**Peerless-AV de México**  
Ave de las Industrias 413  
Parque Industrial Escobedo  
Escobedo, N.L.,  
Mexico 66050  
**+52 (81) 8384-8300**  
**Fax: +52 (81) 8384-8360**

